

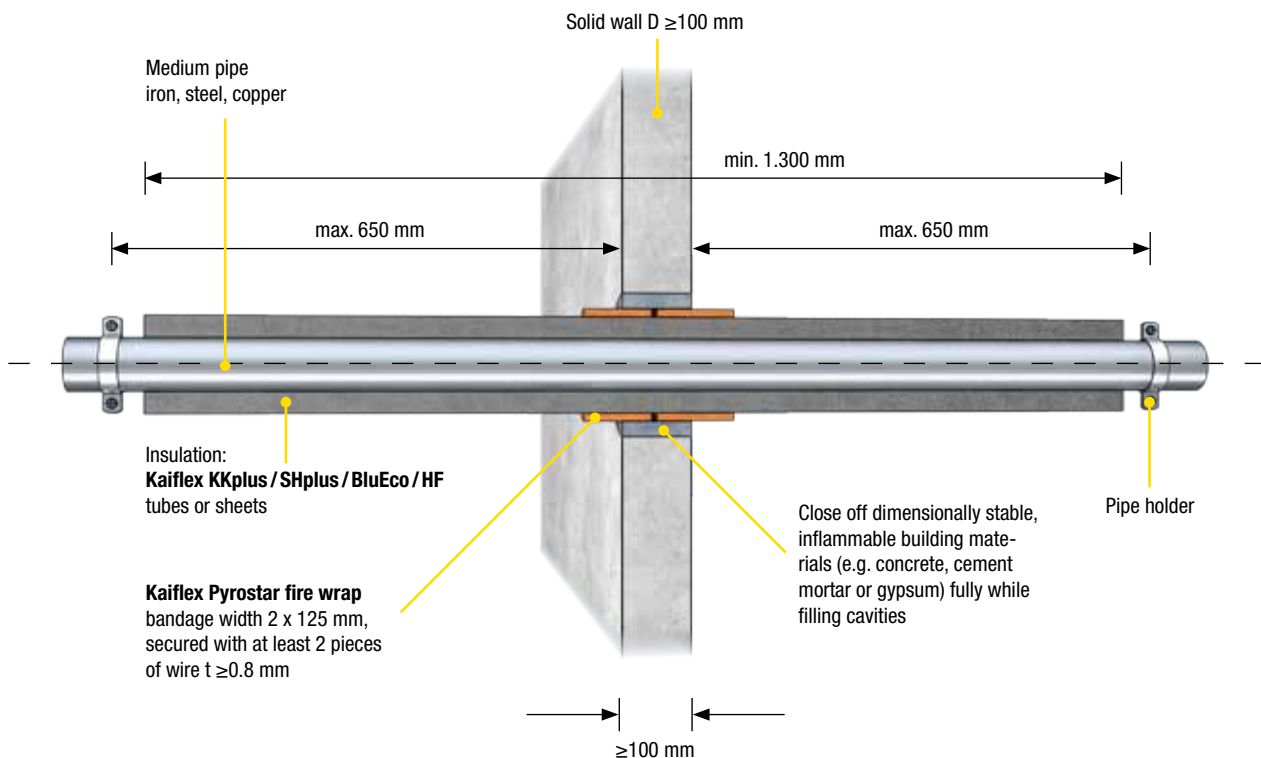
Kaiflex Pyrostar Application guide

Installation in solid walls / solid ceilings as well as lightweight partition walls

Pipe sealing Kaiflex Pyrostar for inflammable pipes of the fire resistance classification R90/R120 in acc. with DIN 4102-11 for installation in solid walls / solid ceilings as well as leight-

weight partition walls of the fire resistance classification F90 or F120 in acc. with DIN 4102-2 and DIN 4102-4.

Installation in solid walls (thickness ≥ 100 mm) or solid ceilings (thickness ≥ 150 mm)



Depending on the installation situation, a Kaiflex Pyrostar fire wrap with a width of at least 125 mm must be installed approx. 70 mm deeply on top of the insulation on either side of the component.

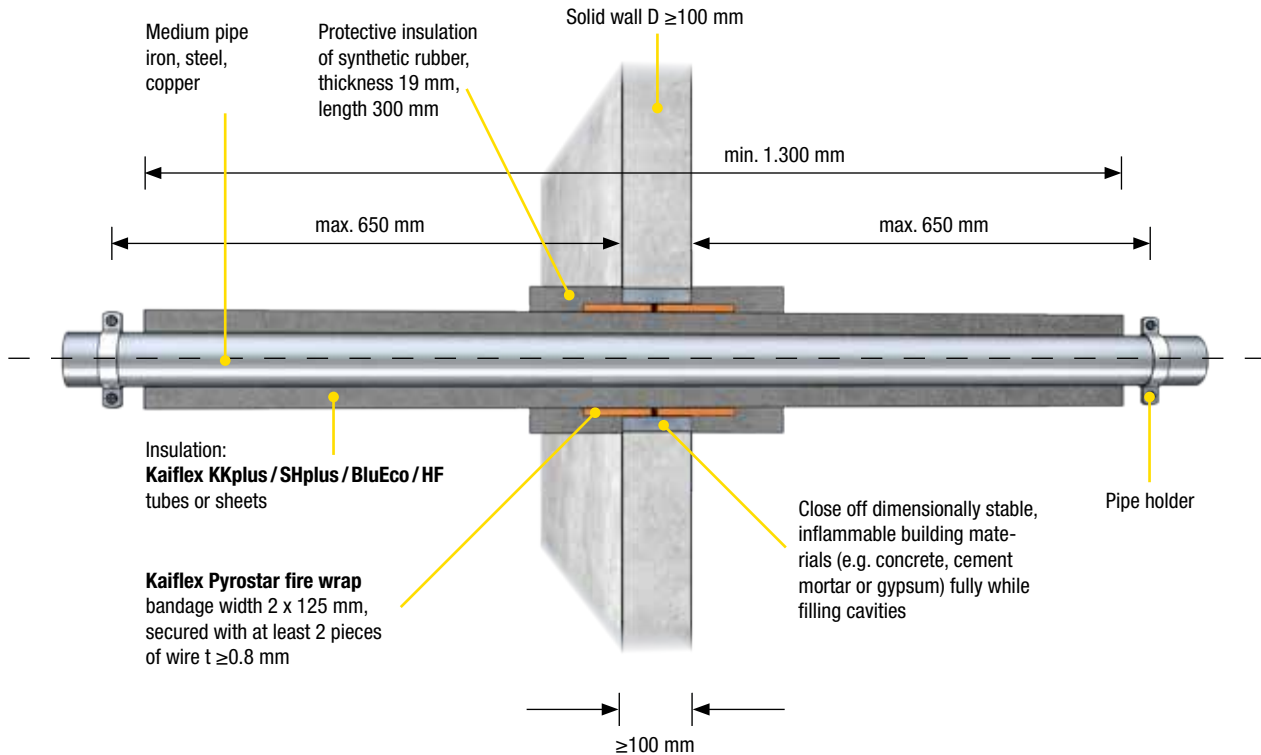
The fire wraps are fastened to the insulation with at least 2 pieces of 0.8 mm thick steel wire each (distance between wires and wall: approx. 25 mm).

The resulting ring gap between the pipe sealing and the inner surface of the component must be fully closed with dimensionally stable, inflammable building materials, such as concrete or cement mortar, while filling cavities.

All values are based on results obtained under typical conditions of use. Recipient of these technical specifications are to check with Kaimann in advance if given values are meeting the specifications of intended area of application.

© Kaimann GmbH | Subject to change without notice.

Kaiflex Pyrostar Application guide



Installing a protective insulation

Depending on the pipe dimension, insulation layer thickness and pipe material, a protective insulation must be installed on either side of the component according to the usability proof (AbP).

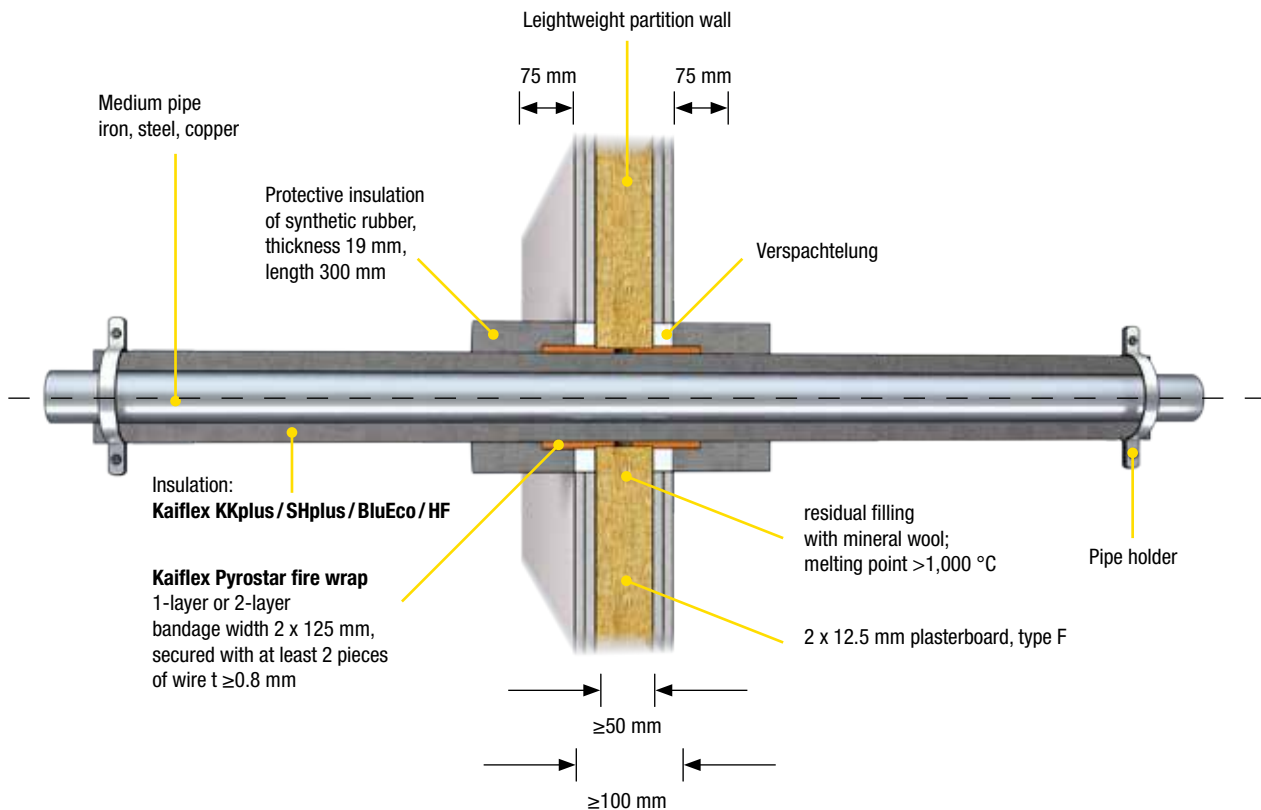
This is done using the same insulation material as the further insulation, installed all-round and at a distance of 300 mm from the component.

The insulation layer thickness is at least 19 mm. The resulting adhesive joint is secured with approx. 3 mm thick and 50 mm wide self-adhesive tape.

The protective insulation that has been installed is fastened on the further rubber insulation with Kaiflex special adhesive to protect against constructional mechanical influences.

Kaiflex Pyrostar Application guide

Installation in leightweight partition walls (thickness ≥ 100 mm)



Kaiflex Pyrostar is fed through the metal stand wall at a width of at least 2 x 125 mm and applied to the continuous insulation in two layers. The fire wrap must be placed to leave approx. 45 mm in the component.

The fire wrap is fastened on the insulation with at least 2 pieces of 0.8 mm thick wire (distance from the wall: approx. 35 mm).

The insulation is executed according to the installation instructions of the manufacturers or according to the recognised rules of the art.

The closure of the remaining joint between the pipe sealing and the inner surface of the component must be stuffed with mineral wool (melting point $>1,000$ °C, building material class

A purs. to DIN EN 13501, packing density $p \geq 50$ kg/m³) while filling all cavities. Alternatively, the mineral wool in the component may be filled with joint gypsum or adhesive binder in the area of the panelling or planking of the leightweight partition wall to a depth of about 25 mm on either side.

A protective insulation at least 19 mm thick and 300 mm long must be installed around the fire wrap on both sides of the component, made of the same insulation material as the further insulation.

The protective insulation that has been installed is fastened on the further rubber insulation with Kaiflex special adhesive to protect against constructional mechanical influences.

Kaiflex Pyrostar Application guide

Important notes

The butt joints or longitudinal joints of the insulation must be bonded according to the manufacturer's installation instructions and the recognised state of the art in all systems.

The bonded points (in the area of the further insulation) also must be additionally secured with Kaiflex tape approx. 3 mm thick and 50 mm wide.

The free cross-section between the fire wrap and inner surface of the component must be fully closed with dimensionally stable, inflammable building materials, such as concrete, cement mortar or gypsum mortar, while filling cavities; expanding fillers are not compliant with the permit and therefore must not be used.

Hardware and holders directly adjacent to the penetration must be completely integrated into the insulation.

Marking the sealing

According to the test certificate „Pipe sealing for inflammable pipes“, permanent marking is not required.

We recommend marking the sealing with an available marking sign for better documentation and later traceability of the manufacturer and the executing company.